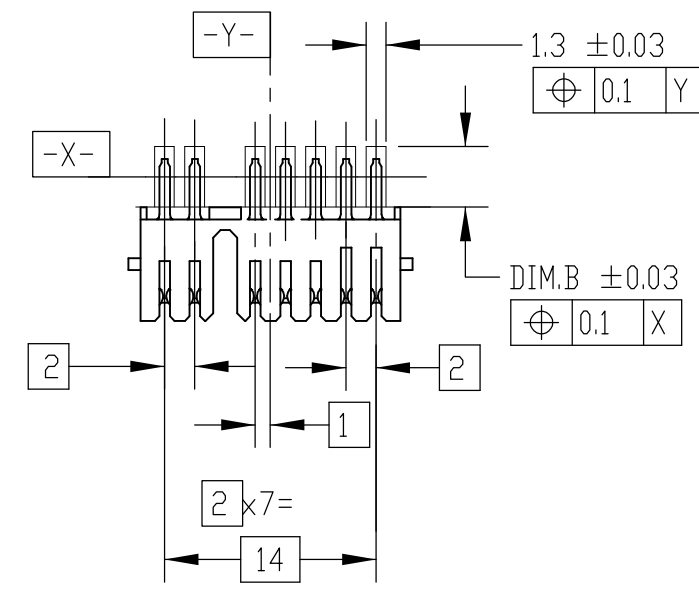
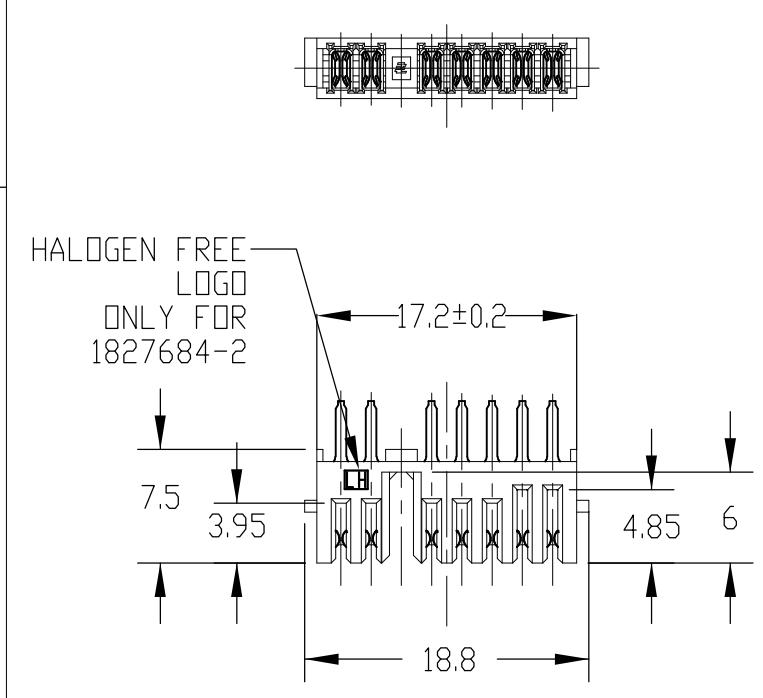


THIS DRAWING IS UNPUBLISHED. RELEASED FOR PUBLICATION 20
 © COPYRIGHT 20 - ALL RIGHTS RESERVED.

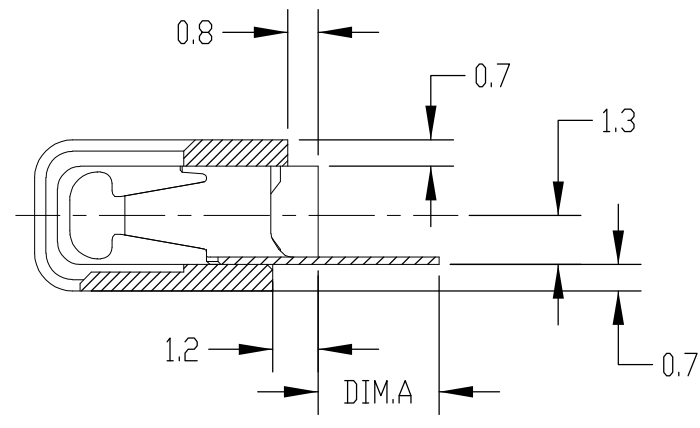
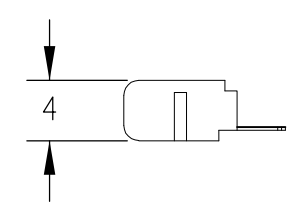
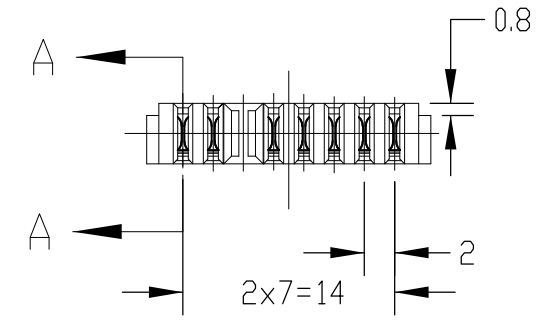
LOC	DIST	REVISIONS			
P	LTR	DESCRIPTION	DATE	DWN	APVD
ES	-				
	C1	REVISED PER ECD-11-005033	16APR2011	RK	HMR
	D	REVISED	06JAN2012	Y.W	S.K
	D1	REVISED PER ECD-13-009541	07JUN2013	R.W	S.Y



- 1 MATERIAL
CONTACT COPPER ALLOY
HOUSING THERMOPLASTIC RESINdUL94V-0 BLACK
- 2 FINISH
CONTACT NICKEL ALL OVER UNDER PLATING,
GOLD PLATING AT CONTACT AREA,
TIN PLATING AT LEAD AREA,

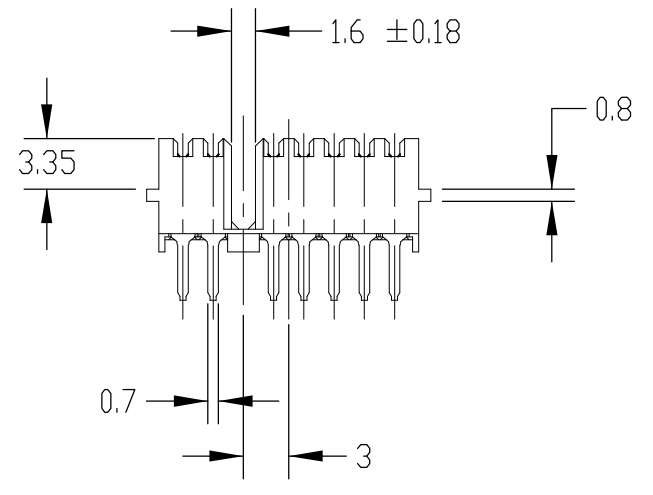
REFERENCE P.C BOARD LAYOUT
 P.C.BOARD THK. 0.8~1.2
 (VIEW FROM CONNECTOR MOUNTING SIDE)

SMT TYPE



A-A
 SCALE 5:1

THERMOPLASTIC RESIN(HALOGEN FREE)	2.60	1.80	1-1827684-3
THERMOPLASTIC RESIN(HALOGEN FREE)	4.0	3.20	1-1827684-2
THERMOPLASTIC RESIN(HALOGEN FREE)	2.60	1.80	1827684-3
THERMOPLASTIC RESIN(HALOGEN FREE)	4.0	3.20	1827684-2
THERMOPLASTIC RESIN	4.0	3.20	1827684-1
HOUSING MATERIAL	DIM,B	DIM,A	P/N



THIS DRAWING IS A CONTROLLED DOCUMENT.		DWN T.KATANO	04 JUL 05
DIMENSIONS: mm		CHK T.KIMURA	04 JUL 05
TOLERANCES UNLESS OTHERWISE SPECIFIED: ±0.3		APVD T.KIMURA	04 JUL 05
0-PLC ±		PRODUCT SPEC	108-78292
1-PLC ±0.1		APPLICATION SPEC	-
2-PLC ±0.01		WEIGHT	0.7g
3-PLC ±0.001		SIZE	A3
4-PLC ±0.0001		CAGE CODE	00779
ANGLES ±3		DRAWING NO	C=1827684
FINISH		RESTRICTED TO	-
1		SCALE	2:1
2		SHEET	1 OF 2
		REV	D1

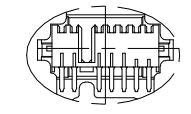
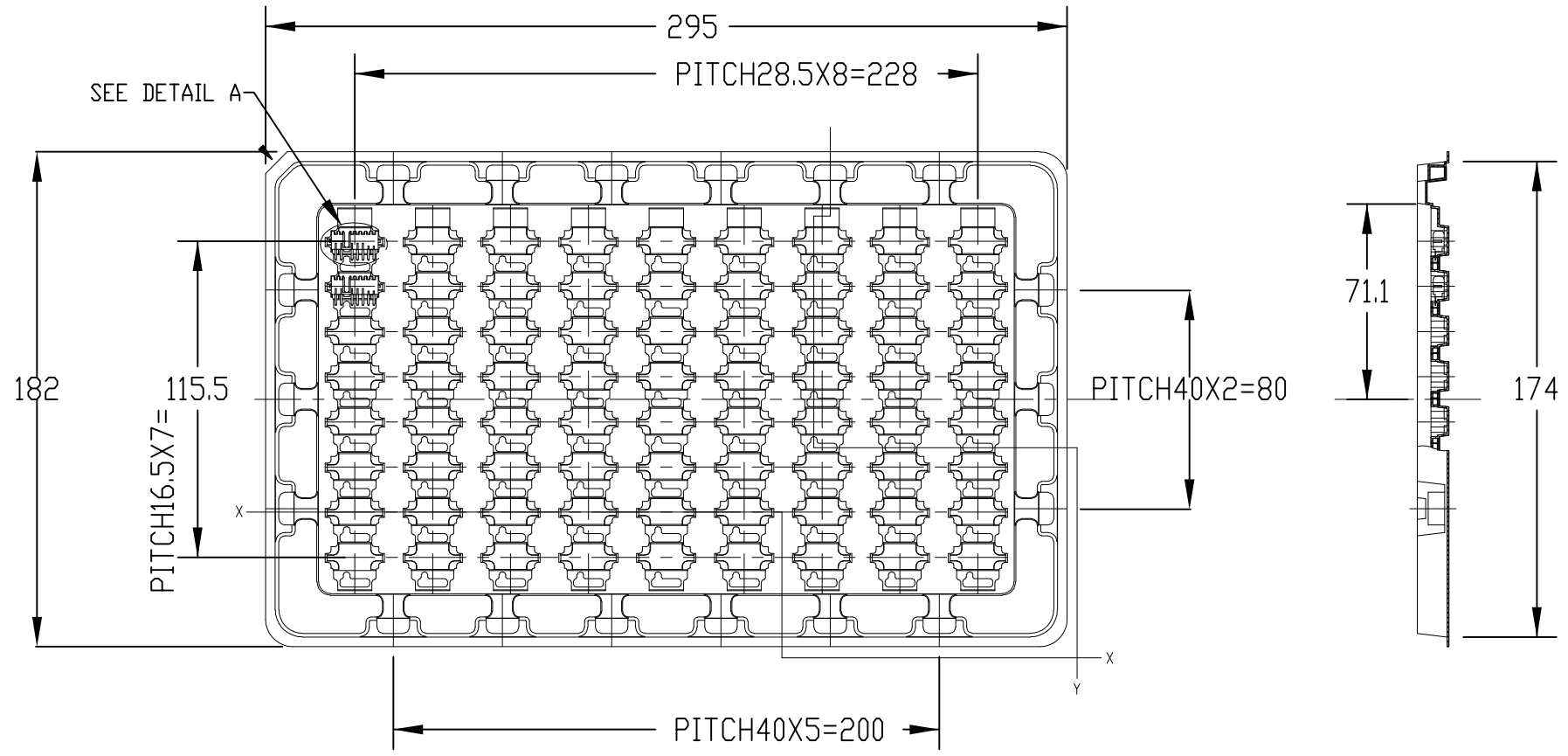
TE Connectivity

RECEPTACLE ASSEMBLY 7POS.
 2mm PITCH BATTERY CONNECTOR

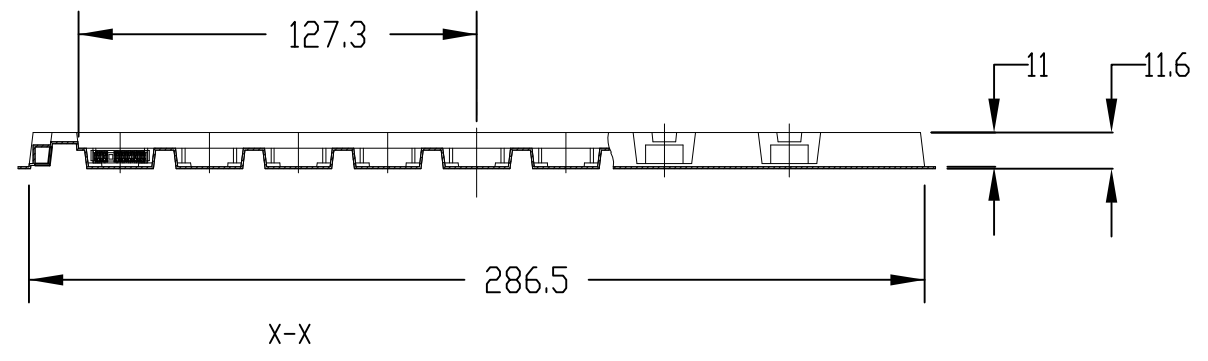
CUSTOMER DRAWING

THIS DRAWING IS UNPUBLISHED. RELEASED FOR PUBLICATION 20
 © COPYRIGHT 20 - ALL RIGHTS RESERVED.

LOC	DIST	REVISIONS			
P	LTR	DESCRIPTION	DATE	DWN	APVD
ES	-	SEE SHEET 1	-	-	-



DETAIL A
SCALE 1:1



1. 72PCS/TRAY

THIS DRAWING IS A CONTROLLED DOCUMENT.		DWN T.KATANO	04 JUL 05		
DIMENSIONS: mm		CHK T.KIMURA	04 JUL 05		
TOLERANCES UNLESS OTHERWISE SPECIFIED: ± 0.3		APVD T.KIMURA	04 JUL 05		
0-PLC ± 1-PLC ±0.1 2-PLC ±0.01 3-PLC ±0.001 4-PLC ±0.0001 ANGLES ±3 FINISH -		PRODUCT SPEC 108-78292	APPLICATION SPEC -		
MATERIAL -		WEIGHT	0.7g	NAME	RECEPTACLE ASSEMBLY 7POS. 2mm PITCH BATTERY CONNECTOR
		SIZE	A3	CAGE CODE	00779
		DRAWING NO	C=1827684		RESTRICTED TO
		CUSTOMER DRAWING	SCALE	2:1	SHEET 2 OF 2
					REV D1